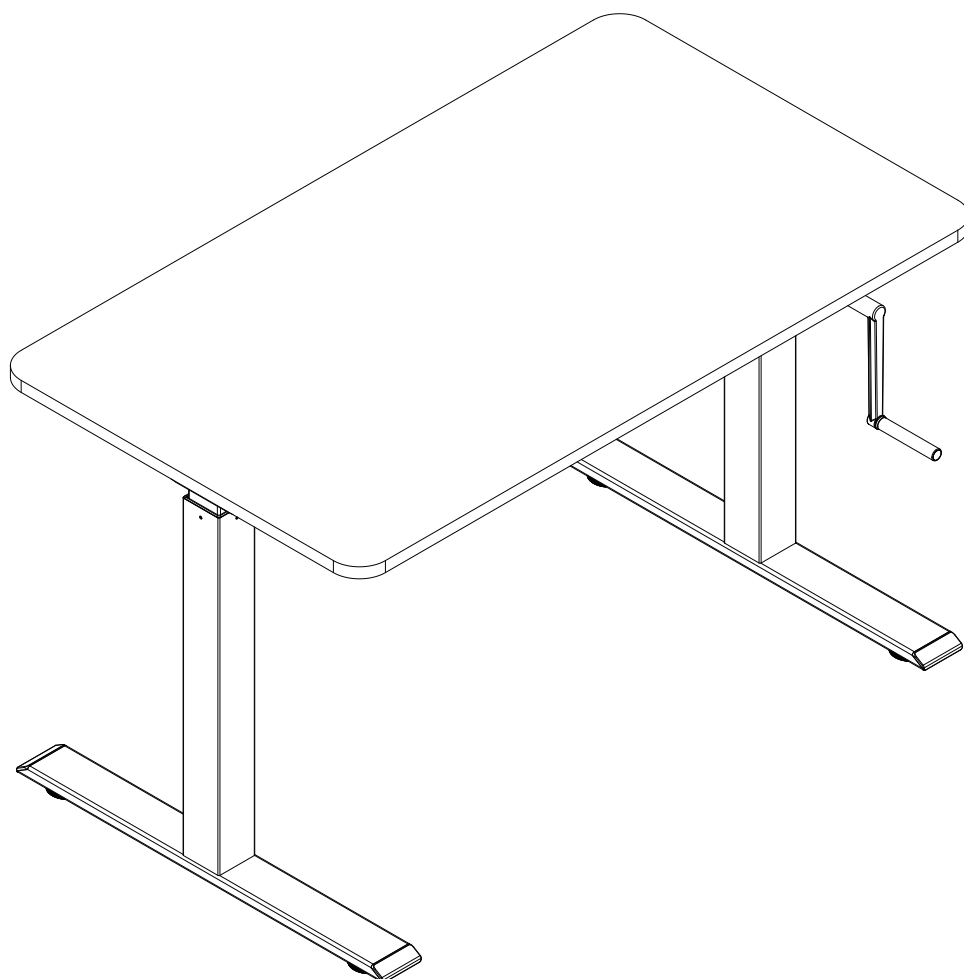


Crank Height Adjustable Desk Use Manual



Warm prompt



Make sure no obstacles are in the desk's path.
Make sure the desktop is not touching any walls.
Make sure all cords are appropriate length to accommodate the change in height.



WARNING

Pinch Point
Keep hands and fingers clear.



Keep children away from electric height-adjustable desks, control units and handsets. There is a risk of injury and electric shock.



Keep all electrical components away from liquids.



Do not sit or stand on the desk frame.
Do not crawl or lie under the desk frame.



Do not place any objects taller than 20" underneath the desk.



Do not open any of the components - the Legs, Control Box, or Switch.
There is a danger of electric shock.



This product is designed with a duty cycle of 10%
(2 min. on, 18 min. off).



In the event of a power outage or if the power cord is unplugged,
a manual reset may be necessary - see USE section.



USE / LIABILITY

This height adjustable desk has electric motors and is designed for use in dry work areas only.

The desk height is adjustable so that it can be positioned at the most ergonomically suitable height.

Any other use is at user's risk.

Under no circumstances does the manufacturer accept warranty claims or liability claims for damages caused from improper use or handling of the desk frame.

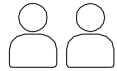
IMPORTANT:

Please read this manual carefully.
If this desk is sold, please provide this manual to the buyer.

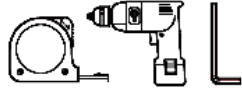
Package Contents

20min

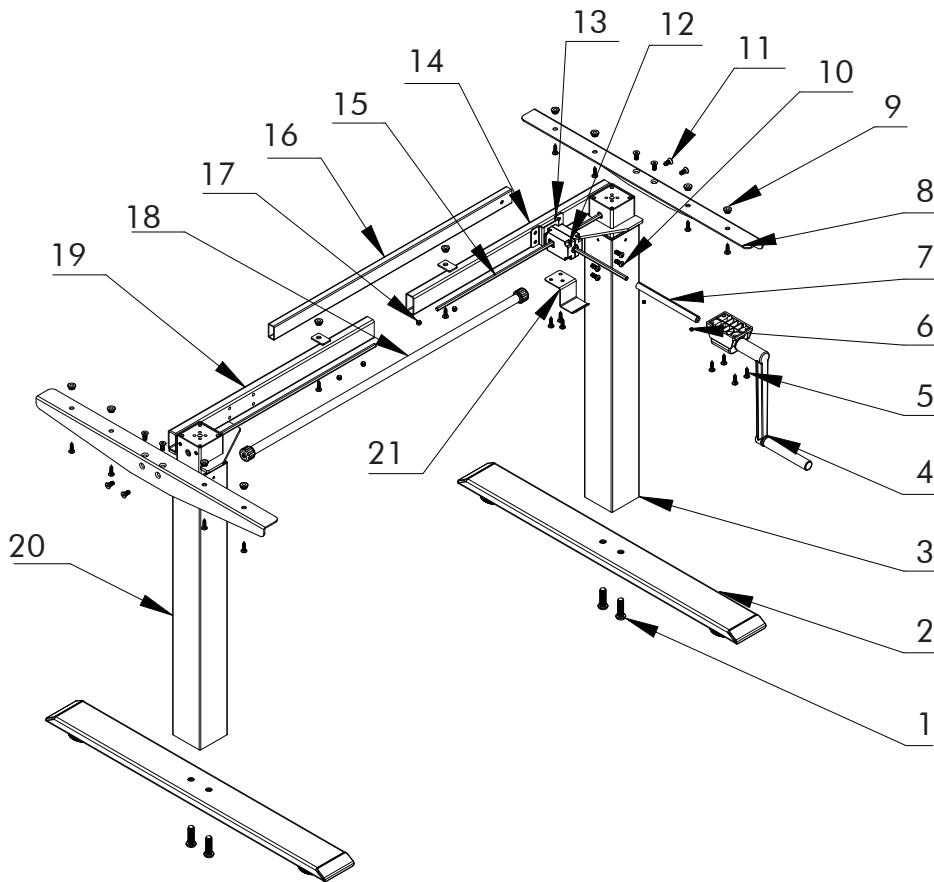
Installation time



Installation personnel

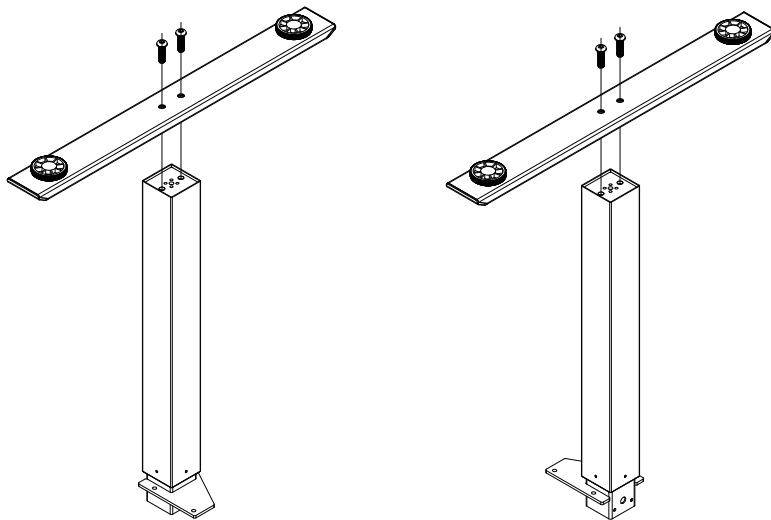


Installation tools
(self-provided)

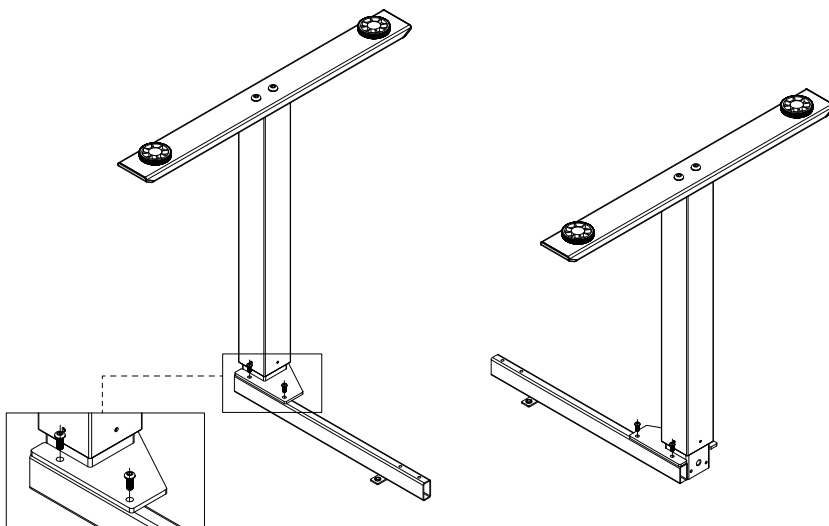


Part	Qty	Part	Qty	Part	Qty
1 M10*35 machine screws	4	10 M6*14 machine screws	8	19 Frame L	1
2 Foot	2	11 M6*14 mahine screws	8	20 Column L	1
3 Column R	1	12 Gearbox assembly	1	21 Hand crank holder	1
4 Hand crank assembly	1	13 Gearbox fixing plate	1	22 M2.5 hexagonal wrench	1
5 ST5*20 wood screws	17	14 Frame R	1	23 M3 hexagonal wrench	1
6 M5*4 machine screws	2	15 Hexagonal rod	2	24 M4 hexagonal wrench	1
7 Short driving rod	1	16 Center rail	1	25 M6 hexagonal wrench	1
8 Side bracket	2	17 M6*10 machine screws	4		
9 Rubber mat	10	18 Drive Rod Assembly	1		

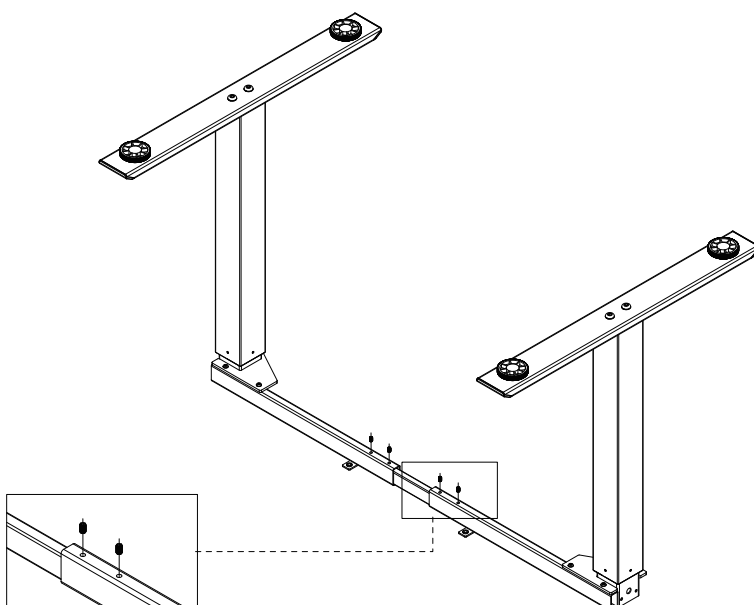
ASSEMBLY



STEP 1: Install the foot to the column using four M10*35 machine screws.

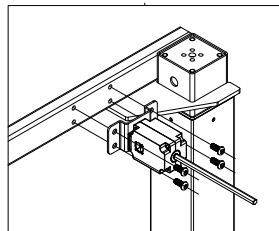
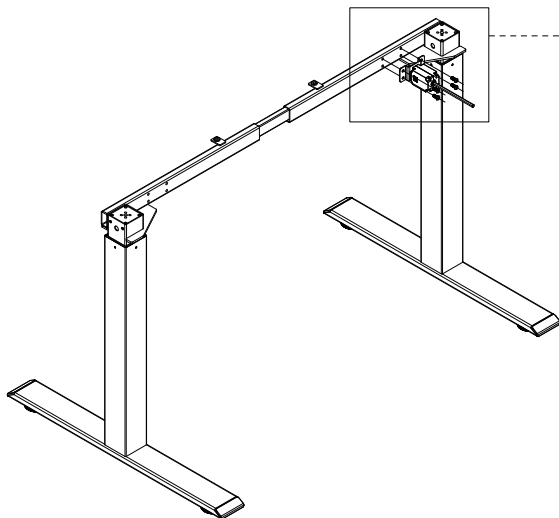


STEP 2: Install the column to the frame with four M6*14 machine screws.

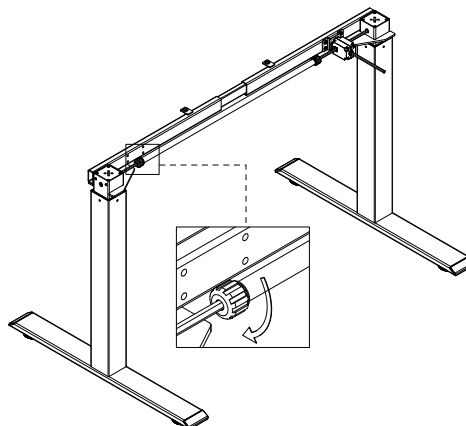
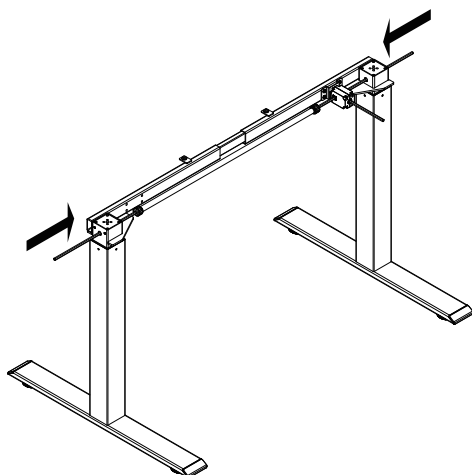


STEP 3: Insert the center rail into the frame, adjust the width and then install the frame to the center rail using four M6*10 machine screws.

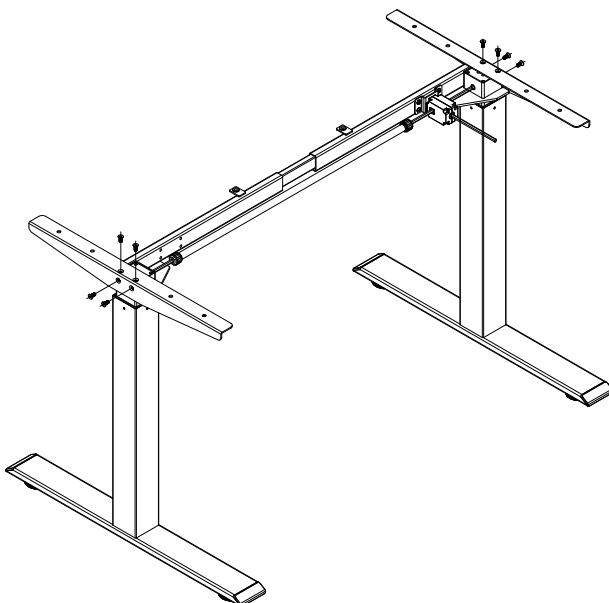
ASSEMBLY



STEP 4: Install the gearbox assembly to the frame using four M6*14 machine screws.

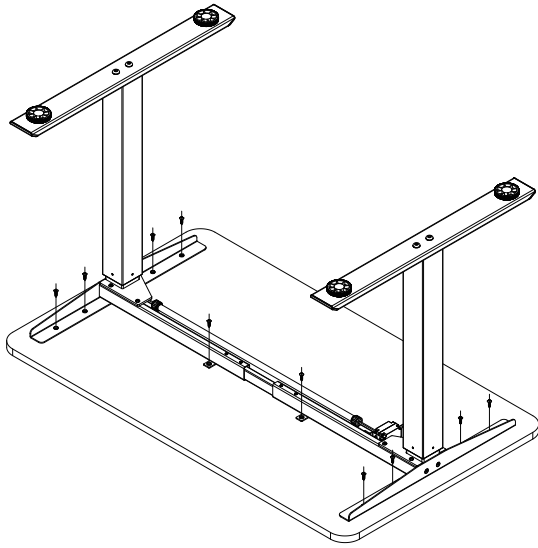


STEP 5: Tighten the knob on the long drive lever by inserting the hexagonal rod into the long drive lever from both sides.

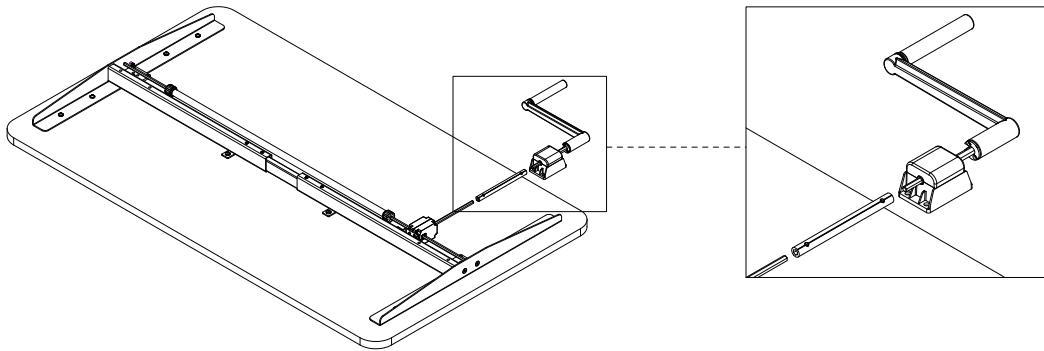


STEP 6: Install the side bracket to the columns using eight M6*14 machine screws.

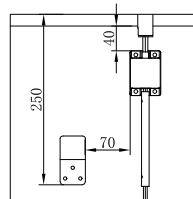
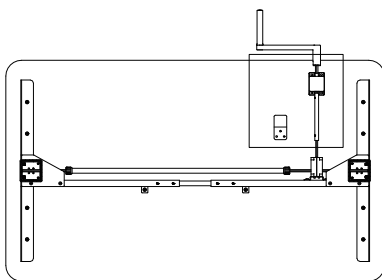
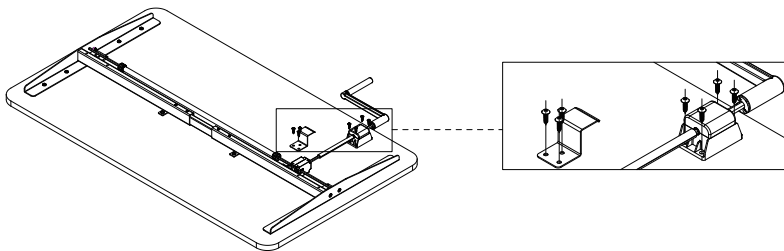
ASSEMBLY



STEP 7: Install the tabletop panel to the table frame using 10 ST5*20 wood screws.

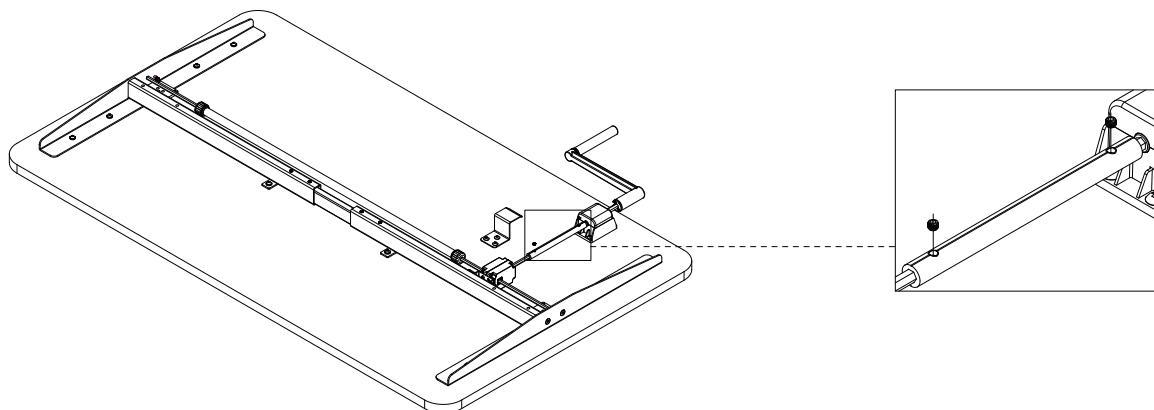


STEP 8: Insert the short drive rod into the gearbox assembly and the hand crank into the short drive rod.



STEP 9: Install the hand crank and hand crank bracket to the table top panel using 7 ST5*20 wood screws. (Positioning dimensions are detailed in the attached drawings)

ASSEMBLY



STEP 10: Lock the two M5*4 machine screws on the short drive rod.

STEP 11: Installation completed

